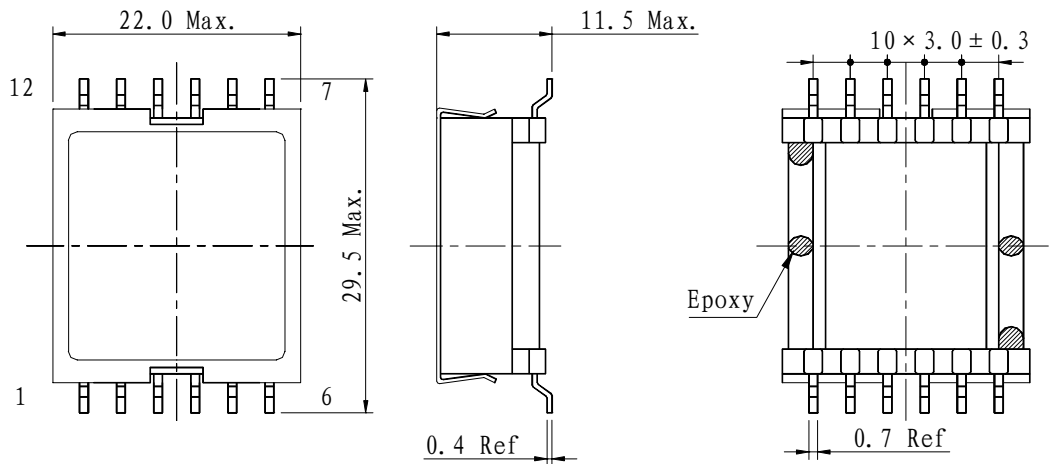
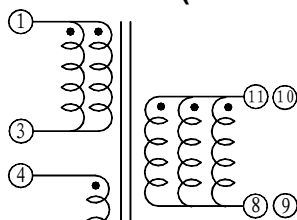


Type: CEFD2010
◆ Product Description

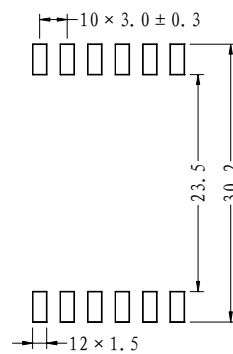
- 29.5×22.0mm Max.(L×W), 11.5mmMax. Height.
- In addition to the typical versions of parameters shown here, custom parameters are available to meet your exact requirements.


◆ Feature

- Max. Operating frequency 300kHz,Max. Operating Power 19.0W(100kHz).
- Ideally used as automotive lighting WLED driver transformer, can be also used as a general transformer.
- RoHS Compliance

◆ Dimensions (mm)

◆ Schematics (Bottom)


“●” indicates winding start.

◆ Land Pattern

◆ Specification

| Sample No. | Inductance (1-3) 100kHz/0.1V | D.C.R. (1-3) Max. | Leakage Inductance(1-3) 100kHz/0.1V | Hi-pot (1,3,4,5-8,9,10,11) |
|------------|---------------------------------|-------------------------|---|-------------------------------|
| 0399-T025 | 230 μ H ± 10% | 200m Ω | 5.0 μ H Max. | DC1800V/1s |