

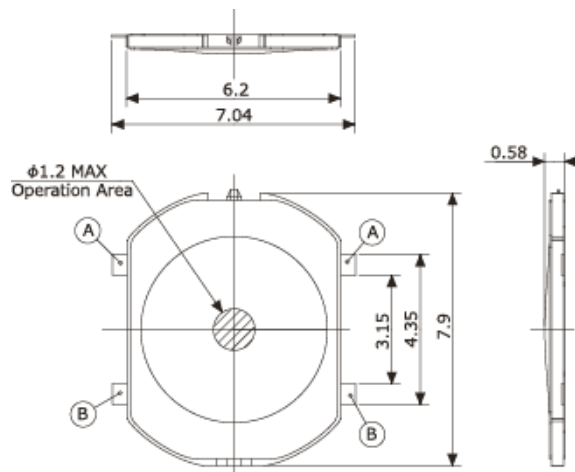
Push Switches

Top Push Switches (Long stroke)

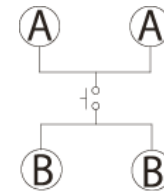


Part No.	JPM1990-9611F	JPM1991-0011F
Height	0.58±0.1mm	0.64±0.1mm
Rating	DC 12V 50mA	
Operating Force	2.5±0.5N	5.0±1.0N
Travel	0.27±0.10mm	0.28±0.10mm
Operating Life	1,000,000 Cycle	200,000 Cycle
Click ratio	35% min.	

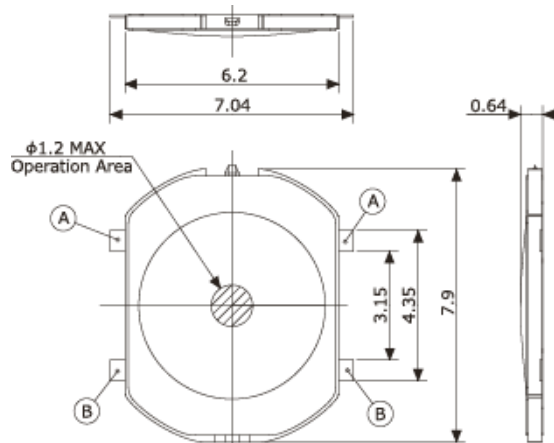
JPM1990-9611F



Circuit : SPST



JPM1991-0011F



P. C. Board Dimension

