

Push Switches

Thin Type Horizontal Push Switch (Mid Mount)

■ Features


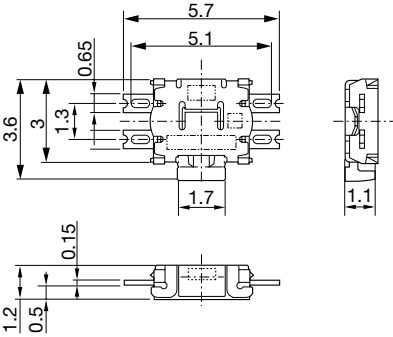
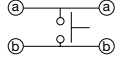
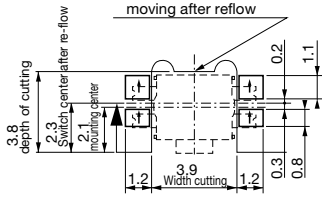
1. Low profile of 2.3mm height.
2. Contributes to smaller and thinner equipments by realizing the height of 0.7mm from PWB by edge mount design.
3. Operating force can be selected from 2.2N and 1.6N.

■ Specification

1. Rating : 50mA, 12V DC
2. Contact Resistance : 1Ω max.
3. Insulation Resistance : 100MΩ min. 100V DC
4. Withstanding Voltage : 250V AC (for one minute)
5. Circuit : SPST
6. Operating Force : 2.2±0.6N (JPM1990-62□1F)
1.6±0.6N (JPM1990-66□1F)
7. Stroke : 0.25mm
8. Operating Life : 100,000 cycles
9. Operating Temperature Range : -30°C to +70°C

■ Application

Mobile phones, smart phones, digital still cameras, car audios, portable audios, PCs, PC peripherals, TVs, DVD players, industrial equipment, business equipment, home appliance and healthcare products.

<div style="background-color: #0070C0; color: white; padding: 2px; font-weight: bold;">JPM1990-62□1F / 66□1F</div> <div style="text-align: center; margin-top: 20px;">  </div> <p style="text-align: center; font-weight: bold;">5,000 pcs/reel</p>		<p>Circuit : SPST</p> <div style="text-align: center;">  </div> <div style="text-align: center; margin-top: 10px;">  </div> <p style="text-align: center;">P. C. Board Dimension</p>
--	---	--

<input type="checkbox"/>	Part No.
0	Product Part No.
1	Embossed Taping Packing Part No.

*Delivery will be made on embossed taping.